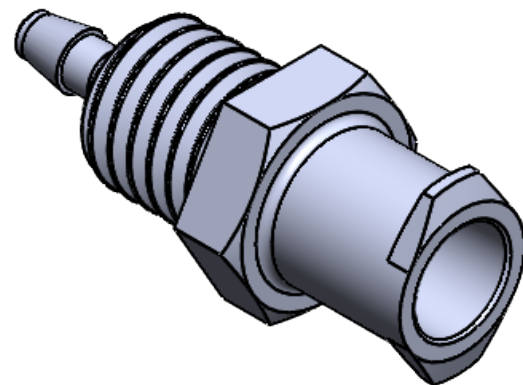
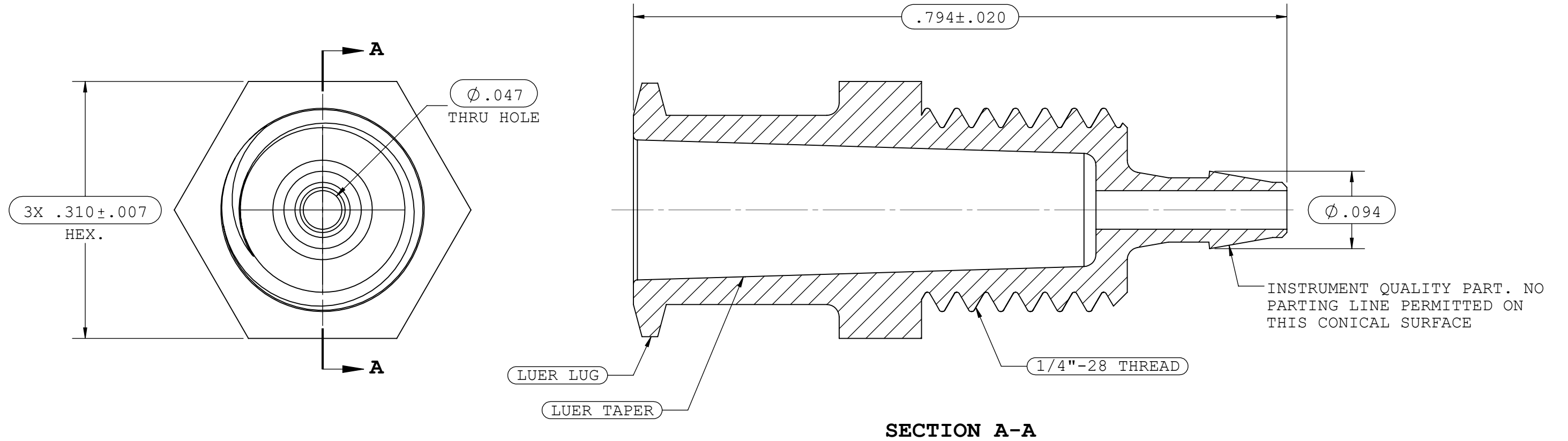


NOTES: FOR ADDITIONAL DETAILS, PLEASE CONTACT VP CUSTOMER SERVICE  
 DIMENSIONS MARKED  $\phi$  ARE CONTROL DIMENSIONS

REVISIONS			
REV.	DESCRIPTION	DATE	APPROVED
A	INITIAL RELEASE	03-05-97	
B	CO 016 DRAFTING UPDATE	05-27-05	RICK C.
C	ECO 1105145	09-14-20	FJL



UNLESS OTHERWISE SPECIFIED DIMENSIONS ARE IN INCHES TOLERANCES ARE:		<b>VALUE PLASTICS, INC</b>			
FRACTIONS    DECIMAL    ANGULAR ±            .XX ± .01            ± 1° .XXX ± .005 .XXXX ± .001		PART NUMBER: FTLB210			
DO NOT SCALE DRAWING		DESCRIPTION: FEMALE LUER LUG STYLE PANEL MOUNT 1/4-28 UNF TO 200 SERIES BARB, 1/16" (1.5 mm) ID TUBING			
DRAWN BY: Frank Lombardi	DATE: 05-06-05	SIZE: <b>B</b>	SCALE: NTS	VER: 	DWG. NO.    REV 1006626    C
MANAGER: Rick Cairns		© 2014 VALUE PLASTICS, INC			SHEET: 1 OF 1

**FOR REFERENCE ONLY**